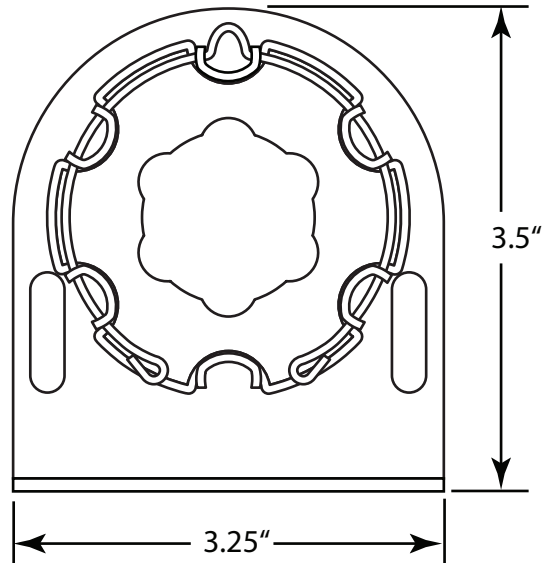
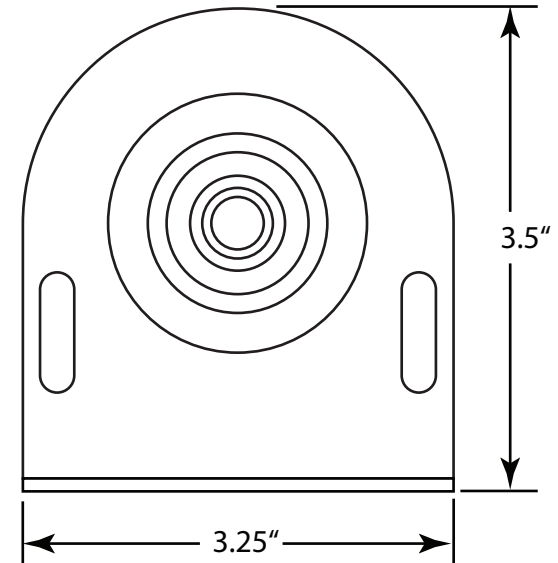


MOTOR END



IDLE END



CONFIDENTIAL

All materials disclosed in this document are proprietary to Diamond Drapery Co., Inc. The Holder agrees to maintain it in confidence and must not replicate or reveal this information in any manner.

Project:

Motorized Shade Components
Standard Brackets

Date:

29-JAN-09

Dimensions:

Inches/Feet

Scale:

DO NOT SCALE

By:

C. Johnson

