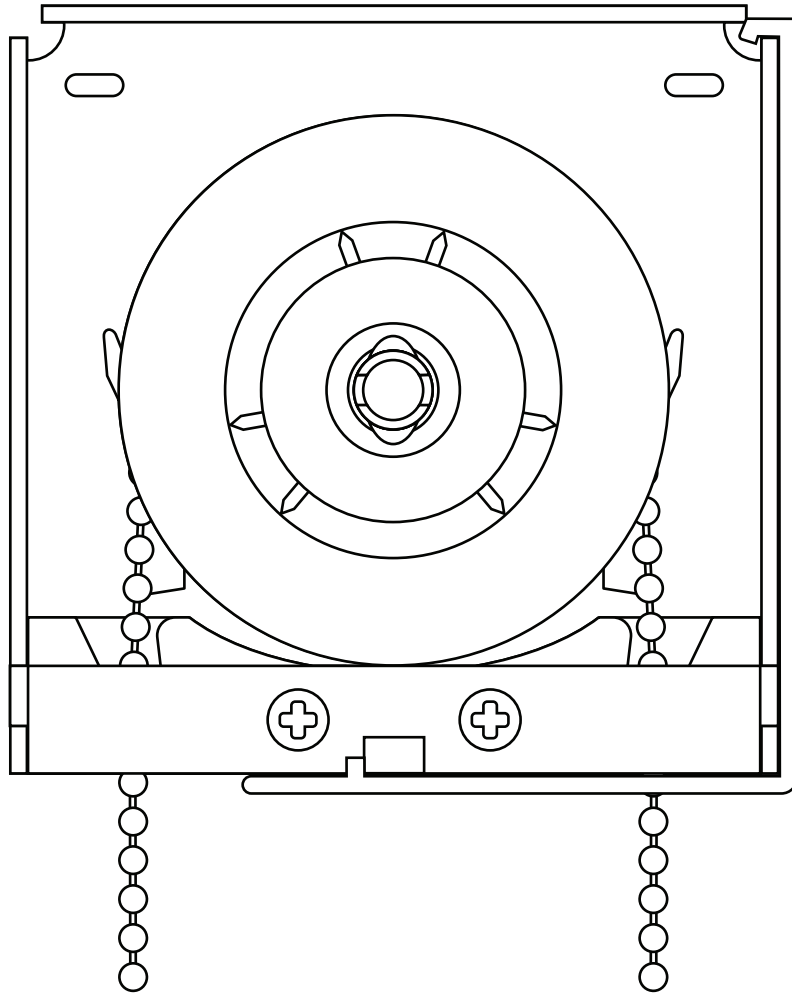
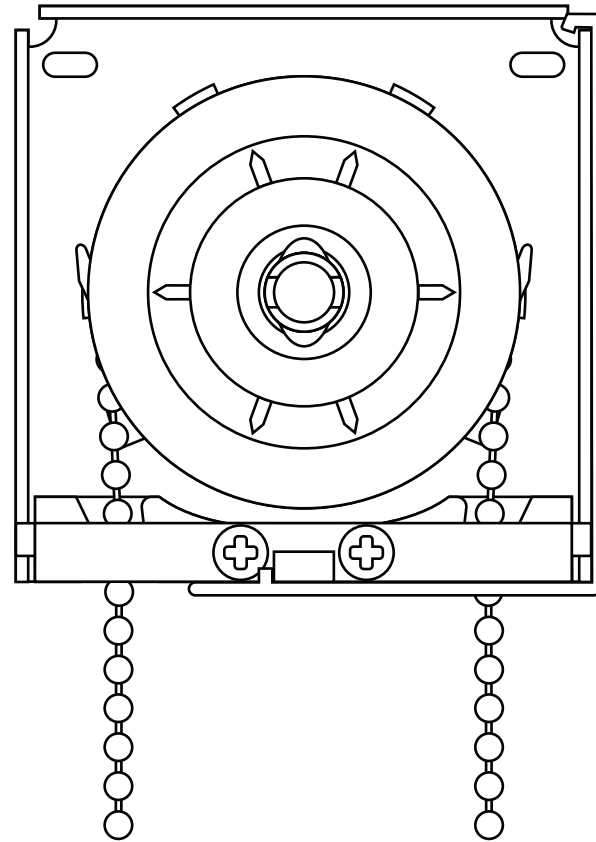


M-24 CLUTCH WITH
4" SQUARE FASCIA



M-16 CLUTCH WITH
3" SQUARE FASCIA



CONFIDENTIAL

All materials disclosed in this document are proprietary to Diamond Drapery Co., Inc. The Holder agrees to maintain it in confidence and must not replicate or reveal this information in any manner.

Project:

Clutch and Bracket Assembly
M-16 & M-24 with 3" & 4" Square Fascia

Date:

30-JAN-09

Dimensions:

Inches/Feet

Scale:

DO NOT SCALE

By:

C. Johnson



7439 Lamson Avenue
Garden Grove, CA 92841
(714) 761-4543 OFFICE (714) 761-4623 FAX