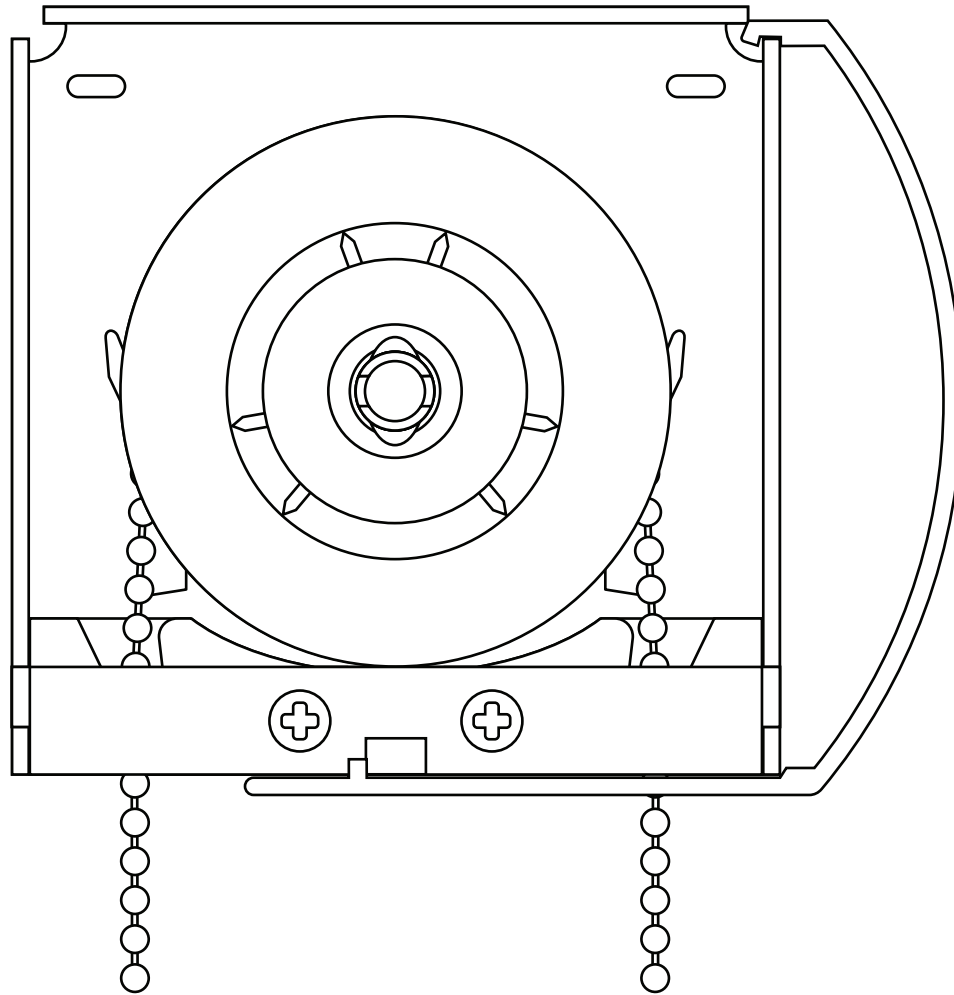
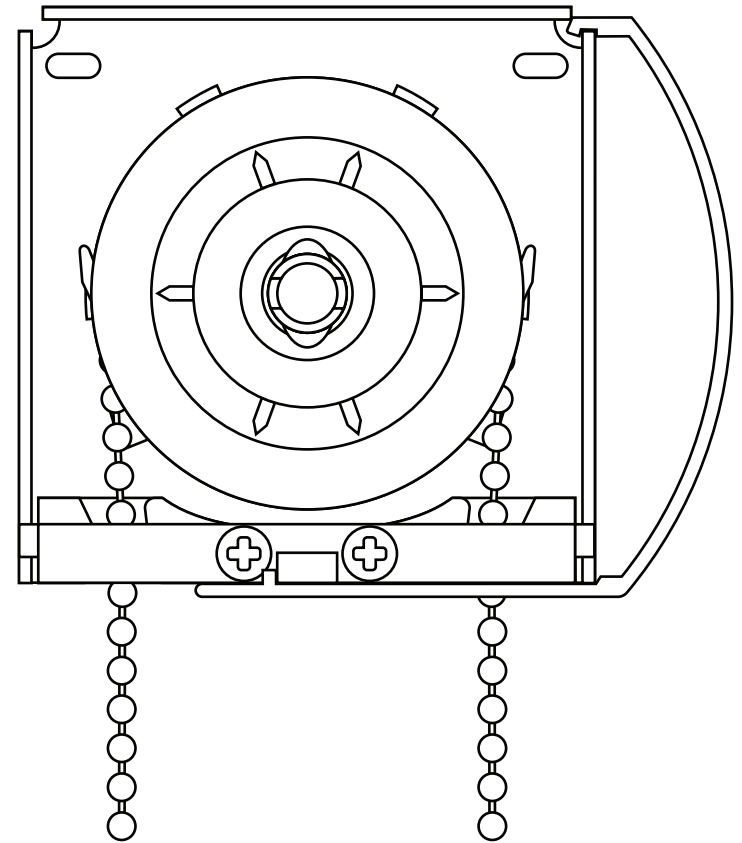


M-24 CLUTCH WITH
4" ROUND FASCIA



M-16 CLUTCH WITH
3" ROUND FASCIA



CONFIDENTIAL All materials disclosed in this document are proprietary to Diamond Drapery Co., Inc. The Holder agrees to maintain it in confidence and must not replicate or reveal this information in any manner.	Project:	
	Clutch and Bracket Assembly	
	M-16 & M-24 with 3" & 4" Round Fascia	
	Date:	Dimensions:
30-JAN-09	Inches/Feet	
Scale:	By:	
DO NOT SCALE	C. Johnson	

7439 Lamson Avenue
Garden Grove, CA 92841
(714) 761-4543 OFFICE (714) 761-4623 FAX