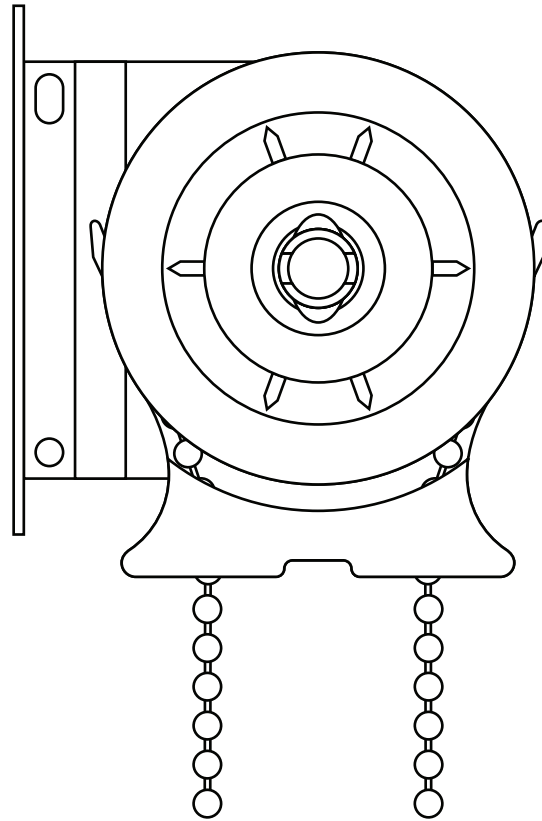
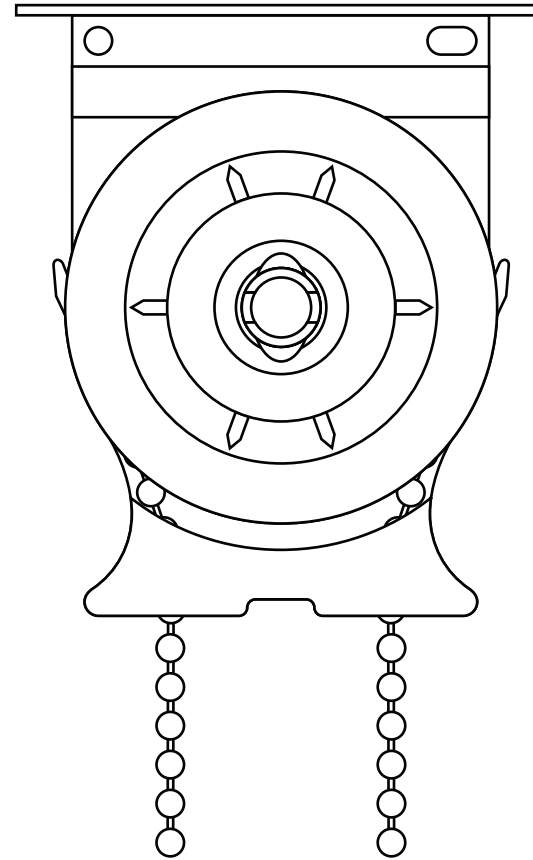


WALL  
MOUNT



CEILING  
MOUNT



**CONFIDENTIAL**

All materials disclosed in this document are proprietary to Diamond Drapery Co., Inc. The Holder agrees to maintain it in confidence and must not replicate or reveal this information in any manner.

**Project:**

Clutch and Bracket Assembly  
M-16

**Date:**

30-JAN-09

**Dimensions:**

Inches/Feet

**Scale:**

DO NOT SCALE

**By:**

C. Johnson

