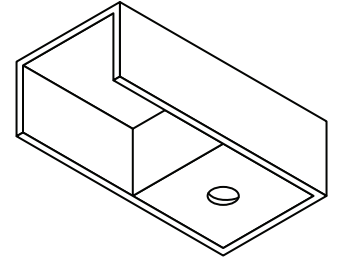
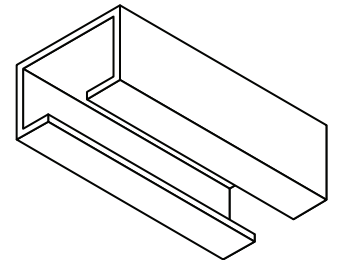


End Stop  
7000-03



End Stop with Pull-Out  
7000-04



Splice  
7000-05

**Cubicle Track:**

Diamond Drapery 7000 Series  
Clear Anodized Aluminum

**Carrier:**

Diamond Drapery 7000 -01 Hooked Carrier  
Celon body and wheels with nickel plated hook.


**Other Parts:**

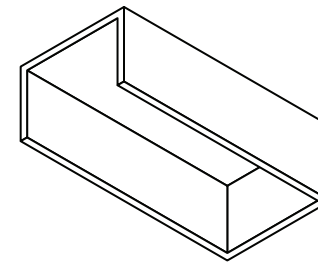
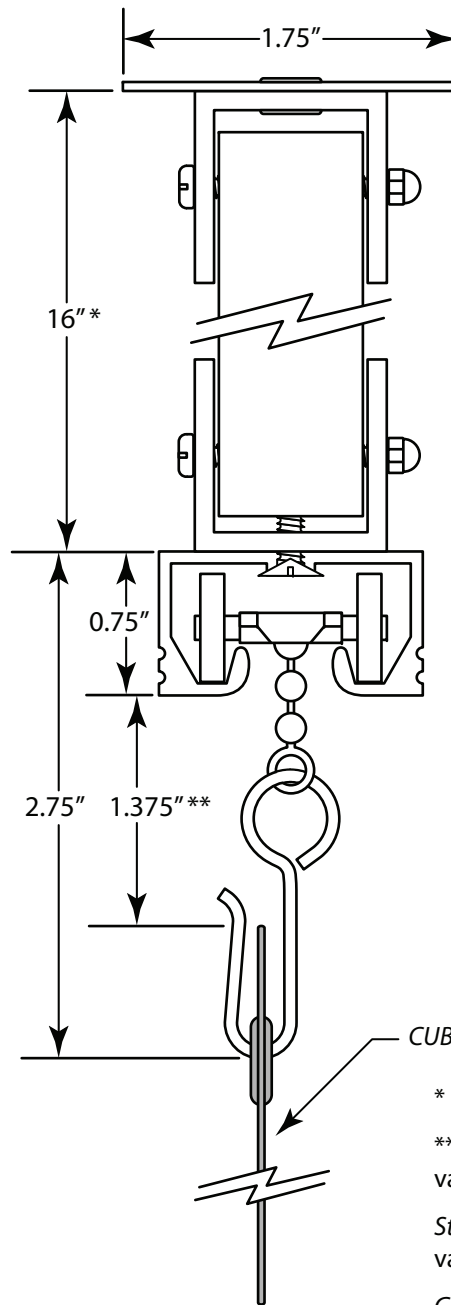
Diamond Drapery endcap, endcap with pull-out, and splice. All clear anodized aluminum parts.

\*\* Approximate distance from bottom of track to top of cubicle curtain. Distance may vary due to different fabric and mesh weights.

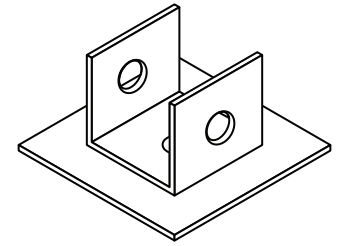
*Stacking:* Curtain stack depth is typically 1" for every foot of cubicle width. Depth may vary due to fabric type, mesh selection, and lining thickness (if selected).

*Grommeting:* Grommets are recommended to be spaced every 6" on-center.

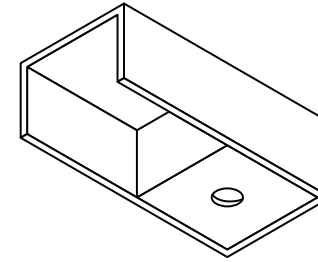
<p><b>CONFIDENTIAL</b> All materials disclosed in this document are proprietary to Diamond Drapery Co., Inc. The Holder agrees to maintain it in confidence and must not replicate or reveal this information in any manner.</p>	<p><b>Project:</b> 7000 Series Cubicle Curtain Tracking System</p>		 <p>7439 Lampson Avenue Garden Grove, CA 92841 (714) 761-4543 OFFICE (714) 761-4623 FAX</p>	
	<p><b>Date:</b> 23-DEC-2008</p>	<p><b>Dimensions:</b> Inches/Feet</p>		
	<p><b>Scale:</b> DO NOT SCALE</p>	<p><b>By:</b> C. Johnson</p>		



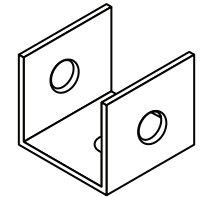
End Stop  
7000-03



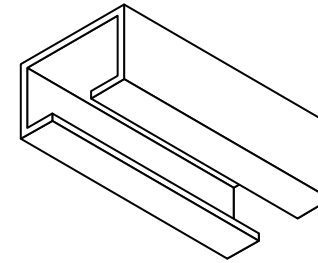
Ceiling Bracket  
7000-06



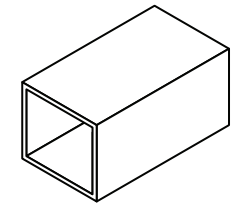
End Stop with Pull-Out  
7000-04



Track Bracket  
7000-08

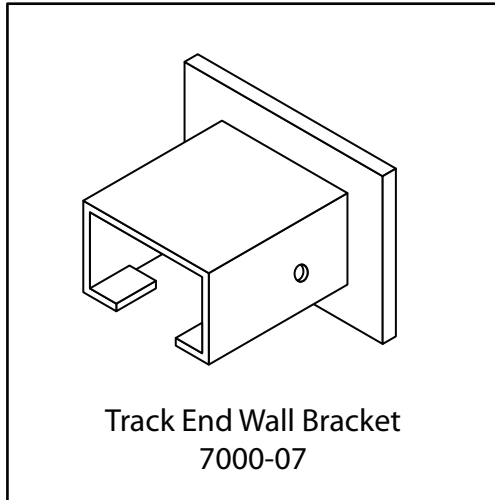


Splice  
7000-05



Suspension Tubing  
7000-ST

**OPTIONAL**



Track End Wall Bracket  
7000-07

**Cubicle Track:**

Diamond Drapery 7000 Series  
Clear Anodized Aluminum

**Carrier:**

Diamond Drapery 7000-01 Hooked Carrier  
Celon body and wheels with nickel plated hook.

**Other Parts:**

Diamond Drapery end stop, end stop with pull-out, splice, ceiling bracket,  
track bracket, and suspension tubing. All clear anodized aluminum parts.


CUBICLE CURTAIN

\* Suggested suspension length. Distance may vary due to site conditions.

\*\* Approximate distance from bottom of track to top of cubicle curtain. Distance may vary due to different fabric weights.

Stacking: Curtain stack depth is typically 1" for every foot of cubicle width. Depth may vary due to fabric type, mesh selection, and lining thickness (if selected).

Grommeting: Grommets are recommended to be spaced every 6" on-center.

<p><b>CONFIDENTIAL</b></p> <p>All materials disclosed in this document are proprietary to Diamond Drapery Co., Inc. The Holder agrees to maintain it in confidence and must not replicate or reveal this information in any manner.</p>	<p><b>Project:</b> 7000 Series Suspended Cubicle Curtain Tracking System</p>		 <p>7439 Lampson Avenue Garden Grove, CA 92841 (714) 761-4543 OFFICE (714) 761-4623 FAX</p>
	<p><b>Date:</b> 23-DEC-2008</p>	<p><b>Dimensions:</b> Inches/Feet</p>	
	<p><b>Scale:</b> DO NOT SCALE</p>	<p><b>By:</b> C. Johnson</p>	