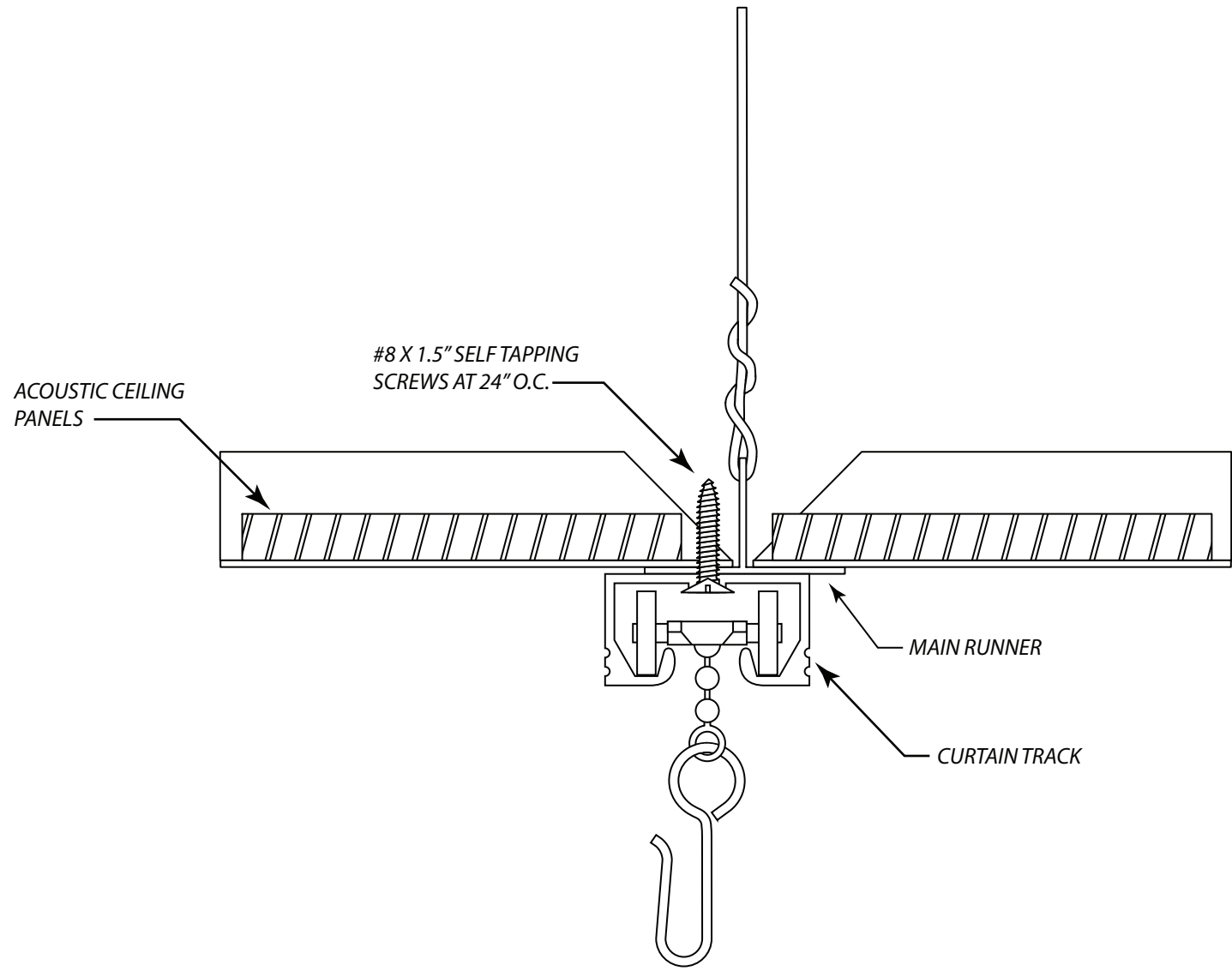


CUBICLE TRACKING INSTALLATION INSTRUCTIONS


7000 SERIES – DROP CEILING GRID INSTALLATION

The tools and materials that are required to install cubicle and I.V. track will vary depending upon the ceiling type. Diamond Drapery does not provide the fasteners or the tools that are required to install cubicle and I.V. track. Diamond Drapery does not assume liability on any installation method. The techniques listed here are merely industry recommendations.

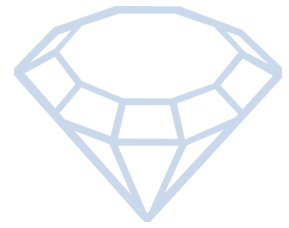
1. Place the privacy track on the floor. Lay out the configurations to ensure that the track is positioned exactly where it is desired.
2. Begin on one end of the track; and mark the holes on the ceiling. Repeat this process on the track as well. Note: track should be secured at 24"- 30" intervals beginning on one end of the track. I.V. track should be secured at 16" intervals.
3. Decide which end of the track will receive the end stop with pull-out.
4. Pre-drill the track. Anchor track via a 2" #8 self tapping screw hex head or pan head recommended. Track will be anchored directly to the drop ceiling grid. Note: 7000 Series track must be pre-drilled with a counter sinking bit to ensure that the fastener will be flush mounted.
5. If the track is spliced, check to ensure that there are no obstructions. Then place the track splice over one end of the track and secure via the steps listed above. Slide the other side of the track into the splice and secure with a fastener. This will ensure that the carriers will not bind at this location.
6. Make sure that both ends of the tracks and the end stops are secured to the ceiling.
7. Remove the pull-out and place the desired number of carriers on the track.



CONFIDENTIAL All materials disclosed in this document are proprietary to Diamond Drapery Co., Inc. The Holder agrees to maintain it in confidence and must not replicate or reveal this information in any manner.	Project: 7000 Series Tracking System Drop Ceiling Installation	
	Date: 15-OCT-2008	Dimensions: Inches/Feet
	Scale: DO NOT SCALE	By: C. Johnson



7439 Lampson Avenue
 Garden Grove, CA 92841
 (714) 761-4543 OFFICE (714) 761-4623 FAX

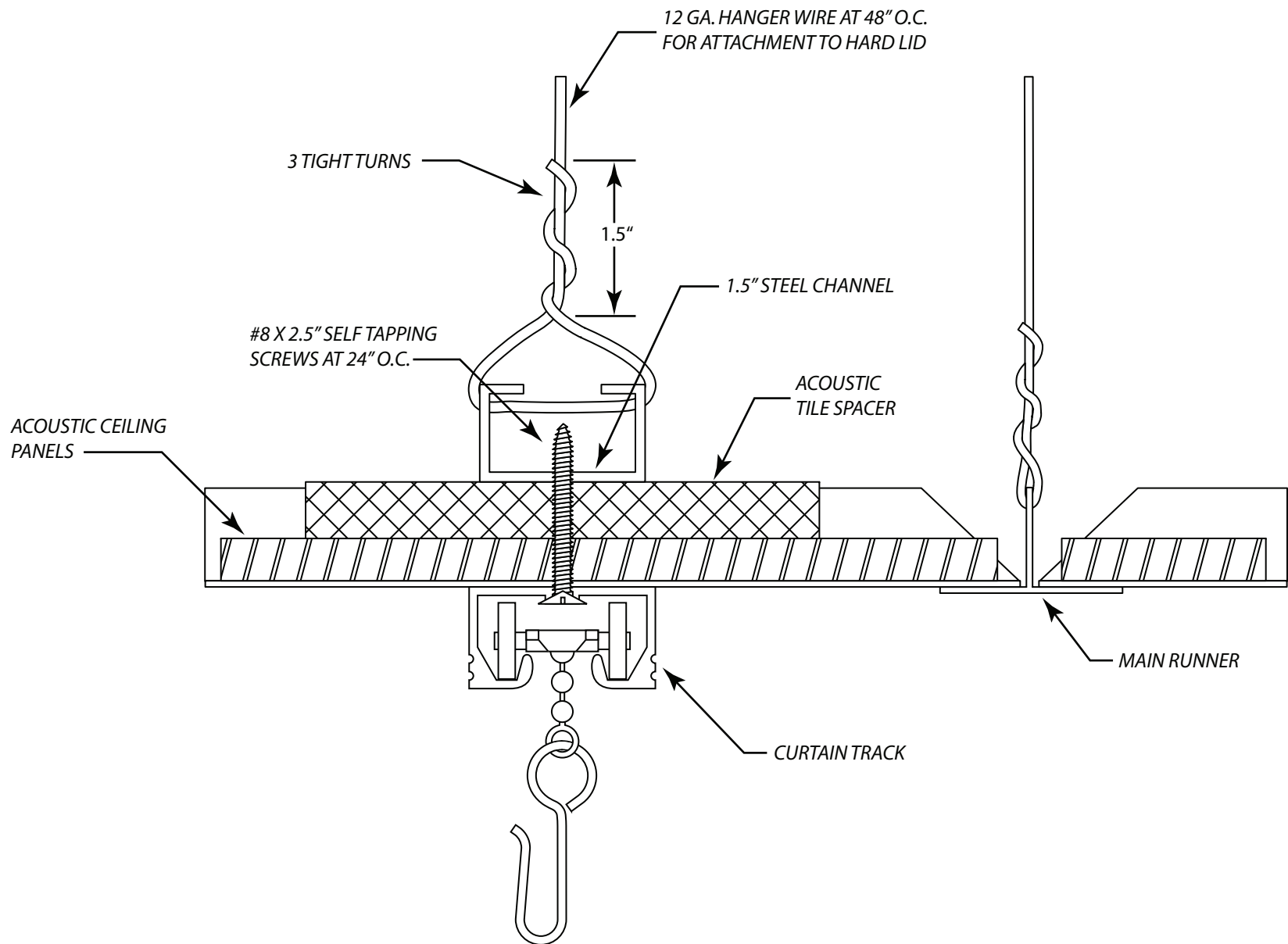


CUBICLE TRACKING INSTALLATION INSTRUCTIONS

7000 SERIES – DROP CEILING GRID WITH CHANNEL BACKING INSTALLATION

The tools and materials that are required to install cubicle and I.V. track will vary depending upon the ceiling type. Diamond Drapery does not provide the fasteners or the tools that are required to install cubicle and I.V. track. Diamond Drapery does not assume liability on any installation method. The techniques listed here are merely industry recommendations.

1. Place the privacy track on the floor. Lay out the configurations to ensure that the track is positioned exactly where it is desired.
2. Begin on one end of the track; and mark the holes on the ceiling. Repeat this process on the track as well. Note: track should be secured at 24" on center intervals beginning on one end of the track.
3. Decide which end of the track will receive the end stop with pull-out.
4. Pre-drill the track. Note: 7000 Series track must be pre-drilled with a counter sinking bit to ensure that the fastener will be flush mounted.
5. Decide where the 1 ½" channel will be laid flat directly above the track.
6. Attach 12 gauge hangar wires at 48" intervals on center.
7. Secure hangar wire to the 1 ½" channel backing with three tight turns. Turns should be completed within 1 ½".
8. Anchor track via a 2 ½" #8 self tapping screw hex head or pan head recommended. Track will be anchored directly to the 1 ½" channel. Track must be secured at 24" intervals on center to the 1 ½" channel.
9. If the track is spliced, check to ensure that there are no obstructions. Then place the track splice over one end of the track and secure via the steps listed above. Slide the other side of the track into the splice and secure with a fastener. This will ensure that the carriers will not bind at this location.
10. Make sure that both ends of the tracks and the end stops are secured to the ceiling.
11. Remove the pull-out and place the desired number of carriers on the track.



CONFIDENTIAL
 All materials disclosed in this document are proprietary to Diamond Drapery Co., Inc. The Holder agrees to maintain it in confidence and must not replicate or reveal this information in any manner.

Project:
 7000 Series Tracking System
 Drop Ceiling with Backing Installation

Date:
 18-NOV-2008

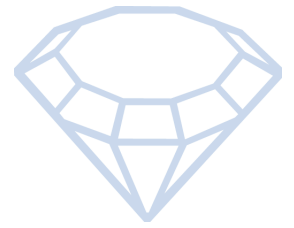
Scale:
 DO NOT SCALE

Dimensions:
 Inches/Feet

By:
 C. Johnson

DIAMOND DRAPERY

7439 Lampson Avenue
 Garden Grove, CA 92841
 (714) 761-4543 OFFICE (714) 761-4623 FAX

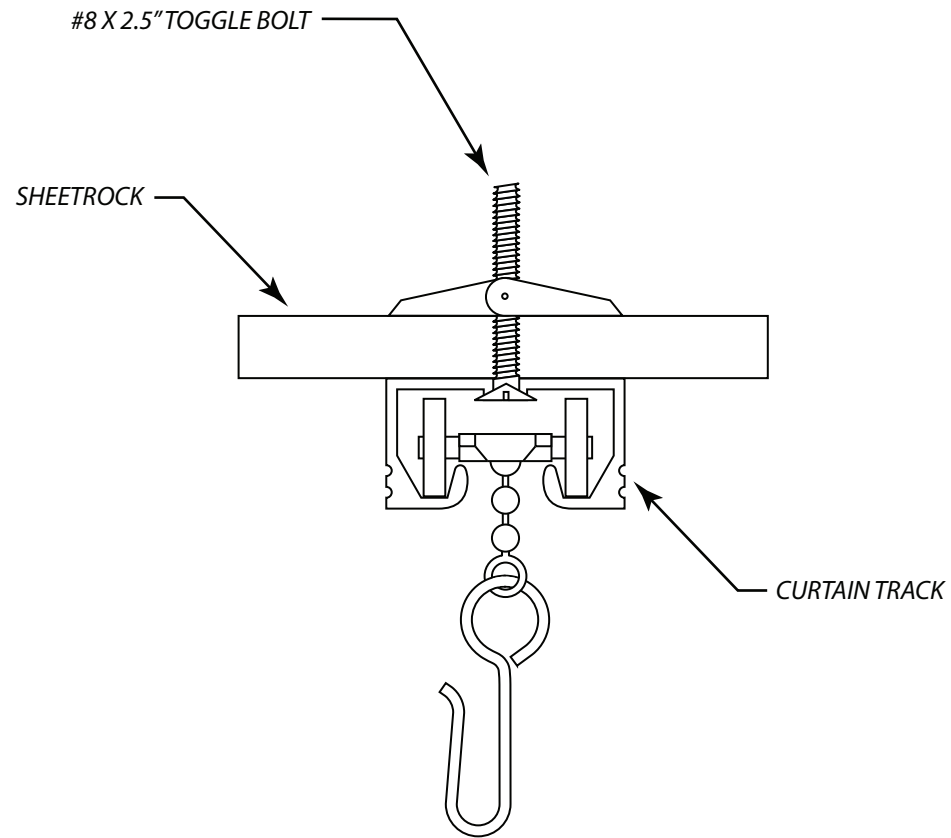



CUBICLE TRACKING INSTALLATION INSTRUCTIONS

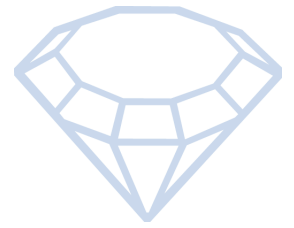
7000 SERIES – SHEETROCK (DRYWALL) INSTALLATION

The tools and materials that are required to install cubicle and I.V. track will vary depending upon the ceiling type. Diamond Drapery does not provide the fasteners or the tools that are required to install cubicle and I.V. track. Diamond Drapery does not assume liability on any installation method. The techniques listed here are merely industry recommendations.

1. Place the privacy track on the floor. Lay out the configurations to ensure that the track is positioned exactly where it is desired.
2. Begin on one end of the track; and mark the holes on the ceiling. Repeat this process on the track as well. Note: track should be secured at 24"- 30" intervals beginning on one end of the track. I.V. track should be secured at 16" intervals.
3. Decide which end of the track will receive the end stop with pull-out.
4. Pre-drill the ceiling.
5. Pre-drill the track. Anchor track via a 3" hex head bolt and wings. Toggle will be 1/8" in diameter. Slotted hex head or Robertson head is recommended. Note: 7000 Series track must be pre-drilled with a counter sinking bit to ensure that the fastener will be flush mounted.
6. If the track is spliced, check to ensure that there are no obstructions. Then place the track splice over one end of the track and secure via the steps listed above. Slide the other side of the track into the splice and secure with a fastener. This will ensure that the carriers will not bind at this location.
7. Make sure that both ends of the tracks and the end stops are secured to the ceiling.
8. Remove the pull-out and place the desired number of carriers on the track.



CONFIDENTIAL All materials disclosed in this document are proprietary to Diamond Drapery Co., Inc. The Holder agrees to maintain it in confidence and must not replicate or reveal this information in any manner.	Project: 7000 Series Tracking System Sheetrock Installation		
	Date: 20-OCT-2008	Dimensions: Inches/Feet	
	Scale: DO NOT SCALE	By: C. Johnson	
		7439 Lampson Avenue Garden Grove, CA 92841 (714) 761-4543 OFFICE (714) 761-4623 FAX	

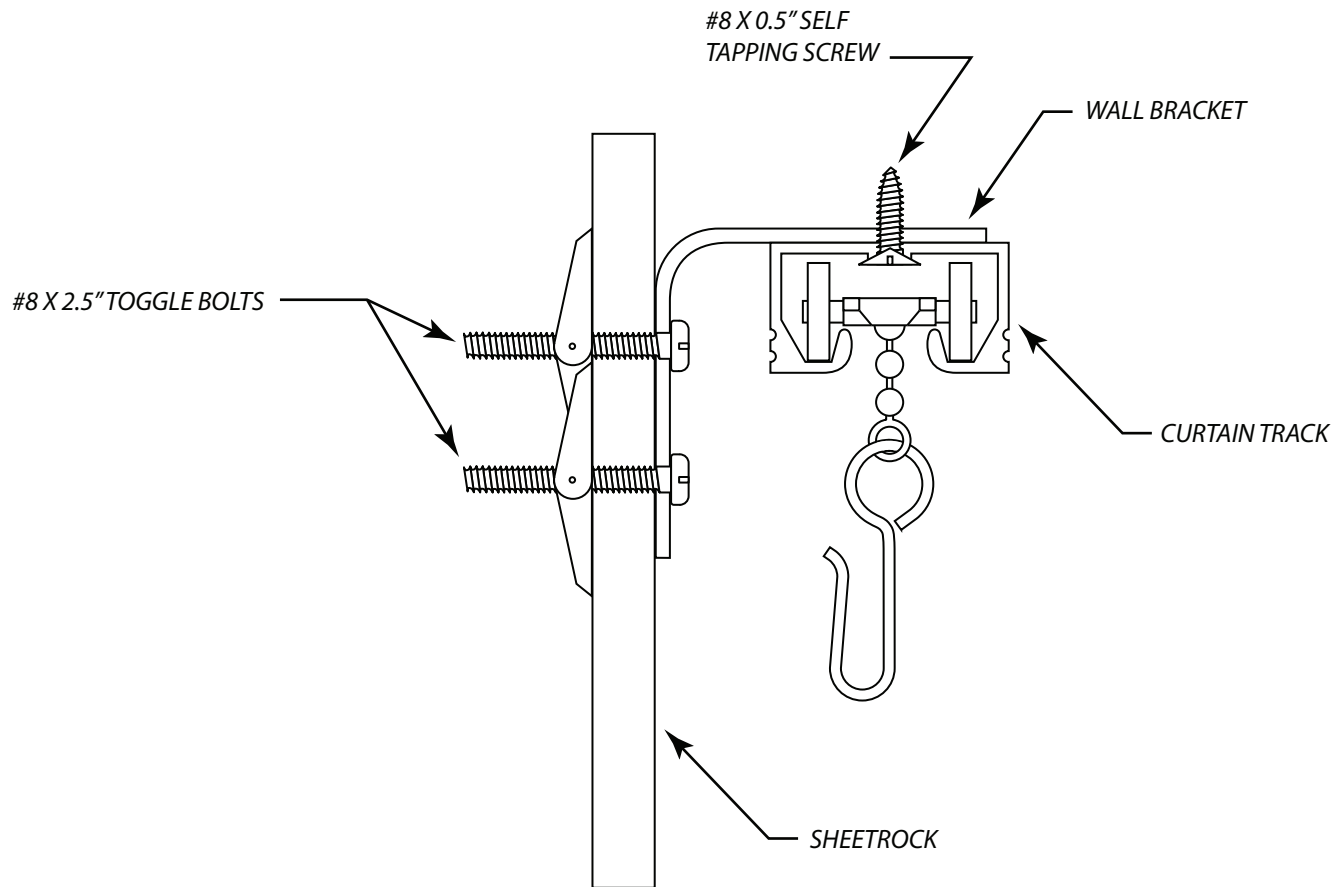



CUBICLE TRACKING INSTALLATION INSTRUCTIONS

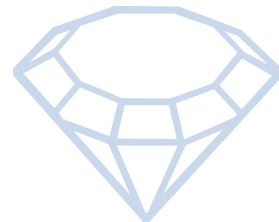
7000 SERIES – SHEETROCK (DRYWALL) WALL INSTALLATION

The tools and materials that are required to install drapery track will vary depending upon the wall type. Diamond Drapery does not provide the fasteners or the tools that are required to install drapery track. Diamond Drapery does not assume liability on any installation method. The techniques listed here are merely industry recommendations.

1. Place the drapery track on the floor. Lay out the configurations to ensure that the track is positioned exactly where it is desired.
2. Begin on one end of the track; and mark the holes on the wall. Repeat this process on the track as well. Note: track should be secured at 24"- 30" intervals beginning on one end of the track. I.V. track should be secured at 16" intervals.
3. Pre-drill the wall and anchor Wall Brackets (part #7000-31) via a 3" hex head bolt and wings. Toggle will be 1/8" in diameter. Slotted hex head or Robertson head is recommended.
4. Pre-drill the track. Anchor track via a 1/2" #8 self tapping screw hex head or pan head recommended. Note: 7000 Series track must be pre-drilled with a counter sinking bit to ensure that the fastener will be flush mounted.
5. If the track is spliced, check to ensure that there are no obstructions. Then place the track splice over one end of the track and secure via the steps listed above. Slide the other side of the track into the splice and secure with a fastener. This will ensure that the carriers will not bind at this location.
6. Make sure that both ends of the tracks and the end stops are secured to the wall.



CONFIDENTIAL All materials disclosed in this document are proprietary to Diamond Drapery Co., Inc. The Holder agrees to maintain it in confidence and must not replicate or reveal this information in any manner.	Project: 7000 Series Tracking System Sheetrock Wall Mount Installation		 7439 Lampson Avenue Garden Grove, CA 92841 (714) 761-4543 OFFICE (714) 761-4623 FAX
	Date: 20-OCT-2008	Dimensions: Inches/Feet	
	Scale: DO NOT SCALE	By: C. Johnson	

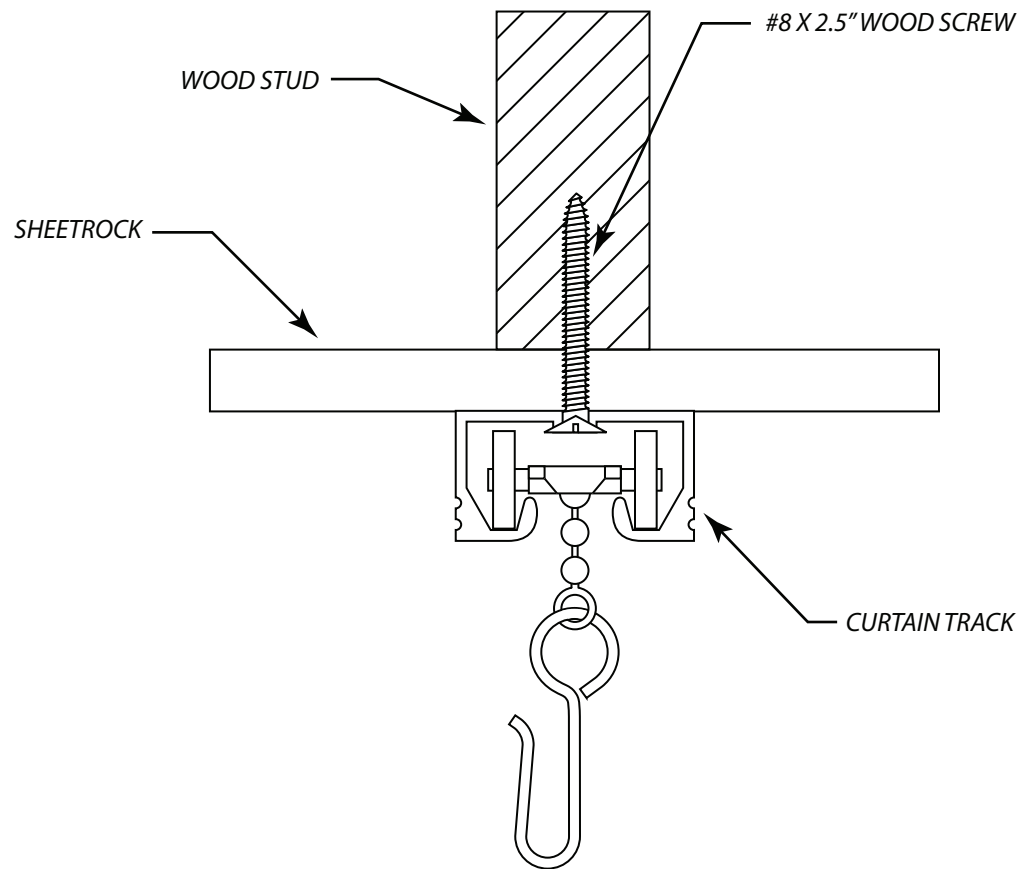


CUBICLE TRACKING INSTALLATION INSTRUCTIONS


7000 SERIES – WOOD INSTALLATION

The tools and materials that are required to install cubicle and I.V. track will vary depending upon the ceiling type. Diamond Drapery does not provide the fasteners or the tools that are required to install cubicle and I.V. track. Diamond Drapery does not assume liability on any installation method. The techniques listed here are merely industry recommendations.

1. Place the privacy track on the floor. Lay out the configurations to ensure that the track is positioned exactly where it is desired.
2. Begin on one end of the track; and mark the holes on the ceiling. Repeat this process on the track as well. Note: track should be secured at 24"- 30" intervals beginning on one end of the track. I.V. track should be secured at 16" intervals.
3. Pre-drill the track. Anchor track via a 2" #8 self tapping screw hex head or pan head recommended. Track will be anchored directly to the drop ceiling grid. Note: 7000 Series track must be pre-drilled with a counter sinking bit to ensure that the fastener will be flush mounted.
4. If the track is spliced, check to ensure that there are no obstructions. Then place the track splice over one end of the track and secure via the steps listed above. Slide the other side of the track into the splice and secure with a fastener. This will ensure that the carriers will not bind at this location.
5. Make sure that both ends of the tracks and the end stops are secured to the ceiling.
6. Remove the pull-out and place the desired number of carriers on the track.



CONFIDENTIAL All materials disclosed in this document are proprietary to Diamond Drapery Co., Inc. The Holder agrees to maintain it in confidence and must not replicate or reveal this information in any manner.	Project: 7000 Series Tracking System Wood Stud Installation	
	Date: 20-OCT-2008	Dimensions: Inches/Feet
	Scale: DO NOT SCALE	By: C. Johnson



DIAMOND
DRAPERY
 7439 Lampson Avenue
 Garden Grove, CA 92841
 (714) 761-4543 OFFICE (714) 761-4623 FAX

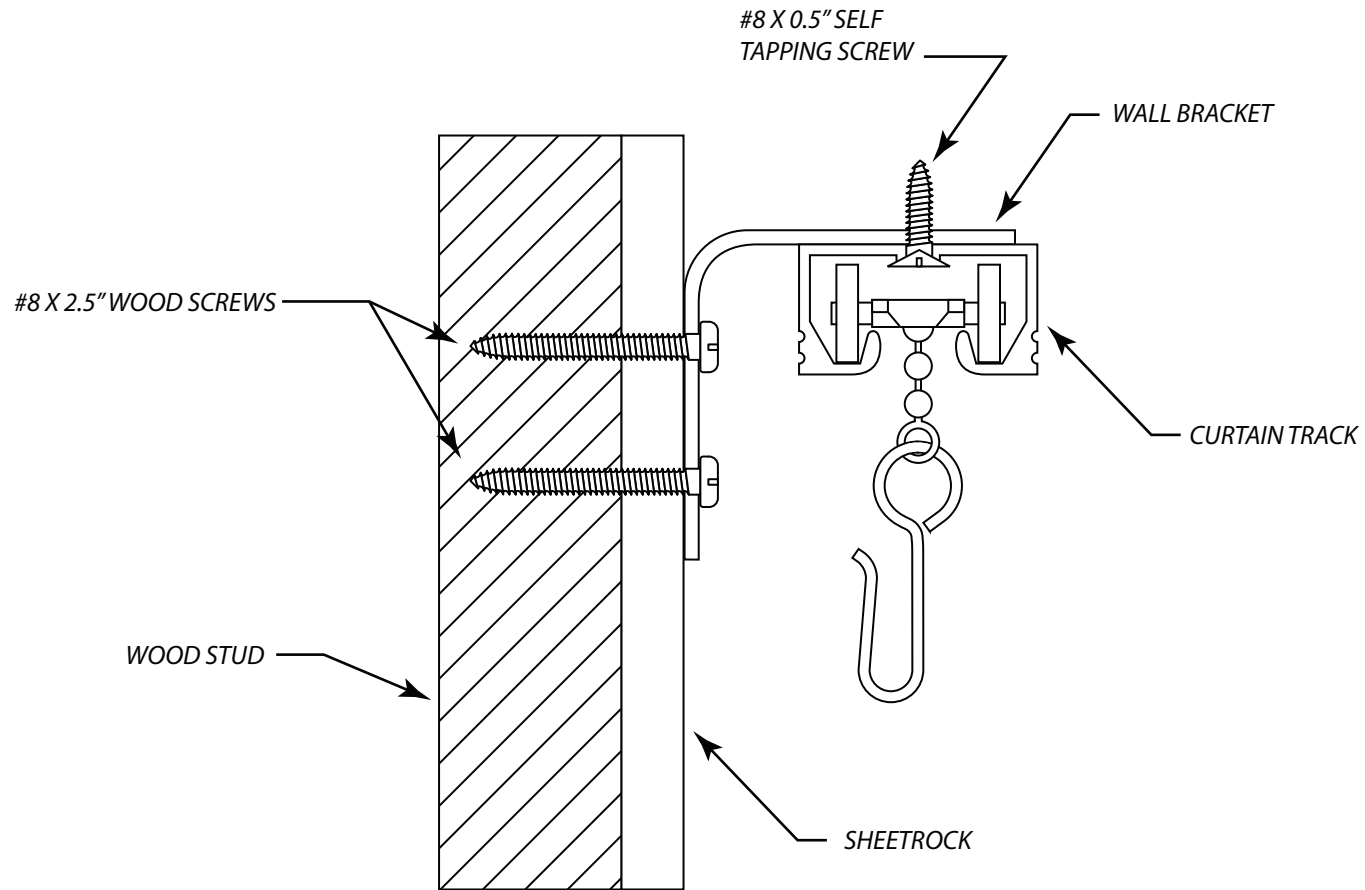


CUBICLE TRACKING INSTALLATION INSTRUCTIONS


7000 SERIES – WOOD WALL INSTALLATION

The tools and materials that are required to install drapery track will vary depending upon the wall type. Diamond Drapery does not provide the fasteners or the tools that are required to install drapery track. Diamond Drapery does not assume liability on any installation method. The techniques listed here are merely industry recommendations.

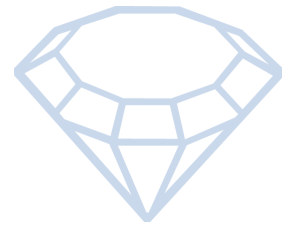
1. Place the drapery track on the floor. Lay out the configurations to ensure that the track is positioned exactly where it is desired.
2. Begin on one end of the track; and mark the holes on the wall. Repeat this process on the track as well. Note: track should be secured at 24"- 30" intervals beginning on one end of the track. I.V. track should be secured at 16" intervals.
3. Pre-drill the wall and anchor Wall Brackets (part #7000-31) via two 2" #8 self tapping screw hex heads or pan heads recommended.
4. Pre-drill the track. Anchor track via a 1/2" #8 self tapping screw hex head or pan head recommended. Note: 7000 Series track must be pre-drilled with a counter sinking bit to ensure that the fastener will be flush mounted.
5. If the track is spliced, check to ensure that there are no obstructions. Then place the track splice over one end of the track and secure via the steps listed above. Slide the other side of the track into the splice and secure with a fastener. This will ensure that the carriers will not bind at this location.
6. Make sure that both ends of the tracks and the end stops are secured to the wall.



CONFIDENTIAL All materials disclosed in this document are proprietary to Diamond Drapery Co., Inc. The Holder agrees to maintain it in confidence and must not replicate or reveal this information in any manner.	Project: 7000 Series Tracking System Wall Mount Installation	
	Date: 20-OCT-2008	Dimensions: Inches/Feet
	Scale: DO NOT SCALE	By: C. Johnson



7439 Lampson Avenue
 Garden Grove, CA 92841
 (714) 761-4543 OFFICE (714) 761-4623 FAX



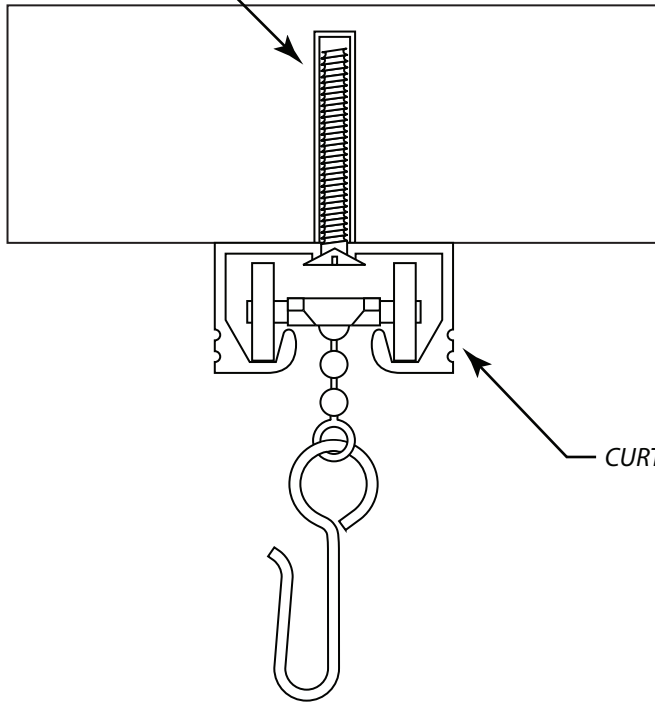
CUBICLE TRACKING INSTALLATION INSTRUCTIONS

7000 SERIES – CONCRETE INSTALLATION

The tools and materials that are required to install cubicle and I.V. track will vary depending upon the ceiling type. Diamond Drapery does not provide the fasteners or the tools that are required to install cubicle and I.V. track. Diamond Drapery does not assume liability on any installation method. The techniques listed here are merely industry recommendations.


1. Place the privacy track on the floor. Lay out the configurations to ensure that the track is positioned exactly where it is desired.
2. Begin on one end of the track; and mark the holes on the ceiling. Repeat this process on the track as well. Note: track should be secured at 24"- 30" intervals beginning on one end of the track. I.V. track should be secured at 16" intervals.
3. Decide which end of the track will receive the end stop with pull-out.
4. Pre-drill the ceiling. Insert a 1 ¼" concrete anchor.
5. Pre-drill the track. Anchor track via a 1 ¼" #8 self tapping screw hex head or pan head recommended. Note: 7000 Series track must be pre-drilled with a counter sinking bit to ensure that the fastener will be flush mounted.
6. If the track is spliced, check to ensure that there are no obstructions. Then place the track splice over one end of the track and secure via the steps listed above. Slide the other side of the track into the splice and secure with a fastener. This will ensure that the carriers will not bind at this location.
7. Make sure that both ends of the tracks and the end stops are secured to the ceiling.
8. Remove the pull-out and place the desired number of carriers on the track.

CONCRETE ANCHOR



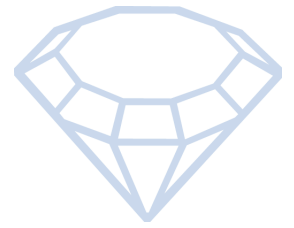
CURTAIN TRACK

CONFIDENTIAL All materials disclosed in this document are proprietary to Diamond Drapery Co., Inc. The Holder agrees to maintain it in confidence and must not replicate or reveal this information in any manner.	Project: 7000 Series Tracking System Concrete Installation	
	Date: 20-OCT-2008	Dimensions: Inches/Feet
	Scale: DO NOT SCALE	By: C. Johnson



DIAMOND
DRAPERY

7439 Lampson Avenue
Garden Grove, CA 92841
(714) 761-4543 OFFICE (714) 761-4623 FAX

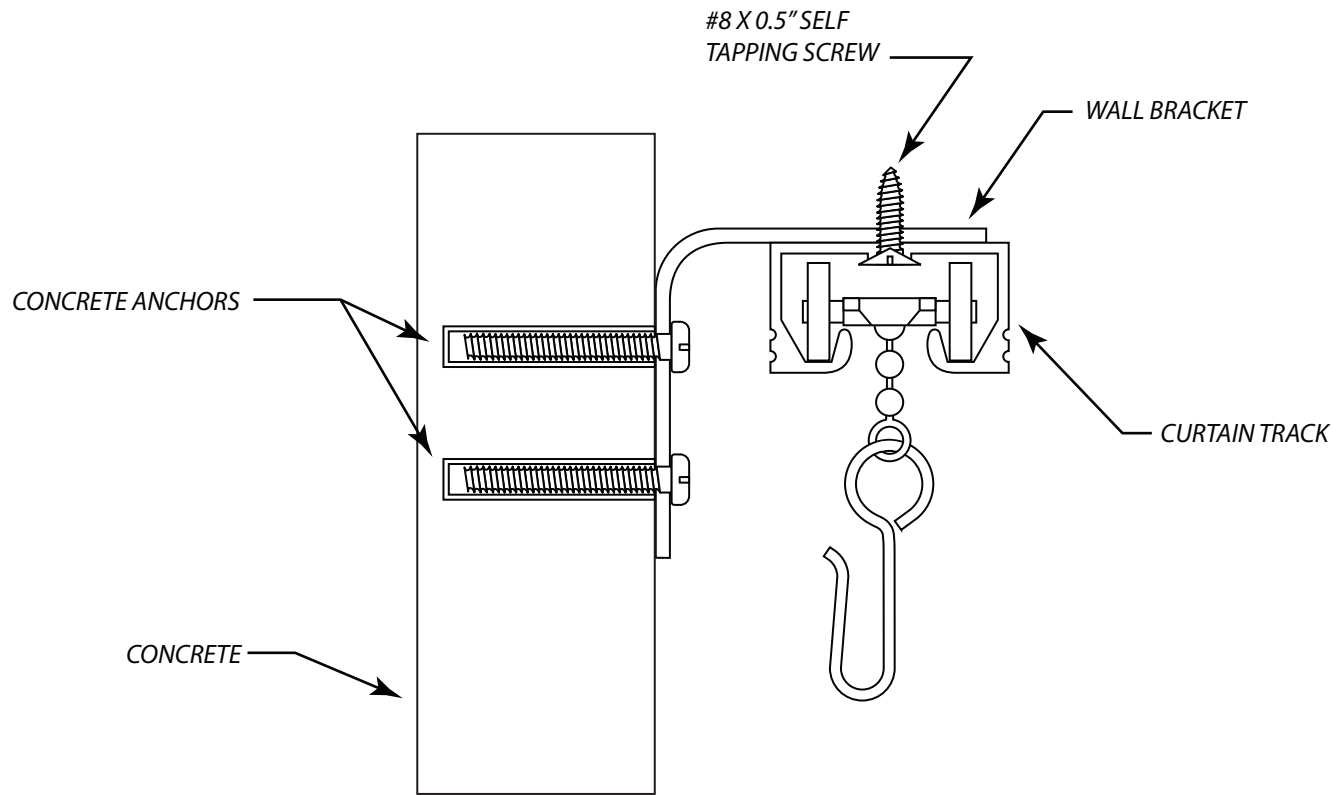



CUBICLE TRACKING INSTALLATION INSTRUCTIONS

7000 SERIES – CONCRETE WALL INSTALLATION

The tools and materials that are required to install drapery track will vary depending upon the wall type. Diamond Drapery does not provide the fasteners or the tools that are required to install drapery track. Diamond Drapery does not assume liability on any installation method. The techniques listed here are merely industry recommendations.

1. Place the drapery track on the floor. Lay out the configurations to ensure that the track is positioned exactly where it is desired.
2. Begin on one end of the track; and mark the holes on the wall. Repeat this process on the track as well. Note: track should be secured at 24"- 30" intervals beginning on one end of the track. I.V. track should be secured at 16" intervals.
3. Pre-drill the wall. Insert a 1 ¼" concrete anchor.
4. Anchor Wall Bracket (part #7000-31) via a 1 ¼" #8 self tapping screw hex head or pan head recommended.
5. Pre-drill the track. Anchor track via a 1/2" #8 self tapping screw hex head or pan head recommended. Note: 7000 Series track must be pre-drilled with a counter sinking bit to ensure that the fastener will be flush mounted.
6. If the track is spliced, check to ensure that there are no obstructions. Then place the track splice over one end of the track and secure via the steps listed above. Slide the other side of the track into the splice and secure with a fastener. This will ensure that the carriers will not bind at this location.
7. Make sure that both ends of the tracks and the end stops are secured to the wall.



CONFIDENTIAL All materials disclosed in this document are proprietary to Diamond Drapery Co., Inc. The Holder agrees to maintain it in confidence and must not replicate or reveal this information in any manner.	Project: 7000 Series Tracking System Concrete Wall Mount Installation		 7439 Lampson Avenue Garden Grove, CA 92841 (714) 761-4543 OFFICE (714) 761-4623 FAX
	Date: 08-APR-2010	Dimensions: Inches/Feet	
	Scale: DO NOT SCALE	By: C. Johnson	