
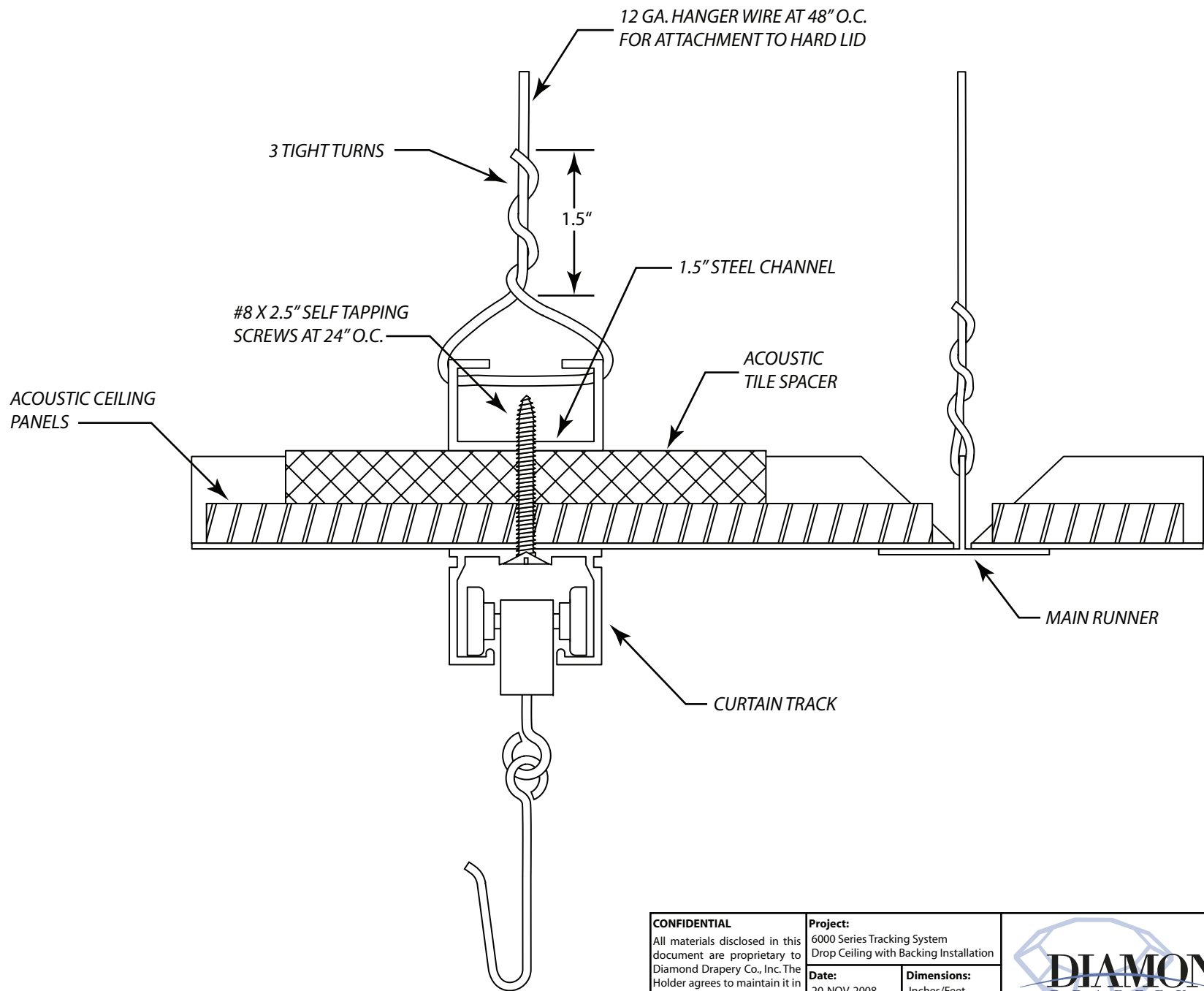


CONFIDENTIAL All materials disclosed in this document are proprietary to Diamond Drapery Co., Inc. The Holder agrees to maintain it in confidence and must not replicate or reveal this information in any manner.	Project: 6000 Series Tracking System Drop Ceiling Installation	
	Date: 21-OCT-2008	Dimensions: Inches/Feet
	Scale: DO NOT SCALE	By: C. Johnson



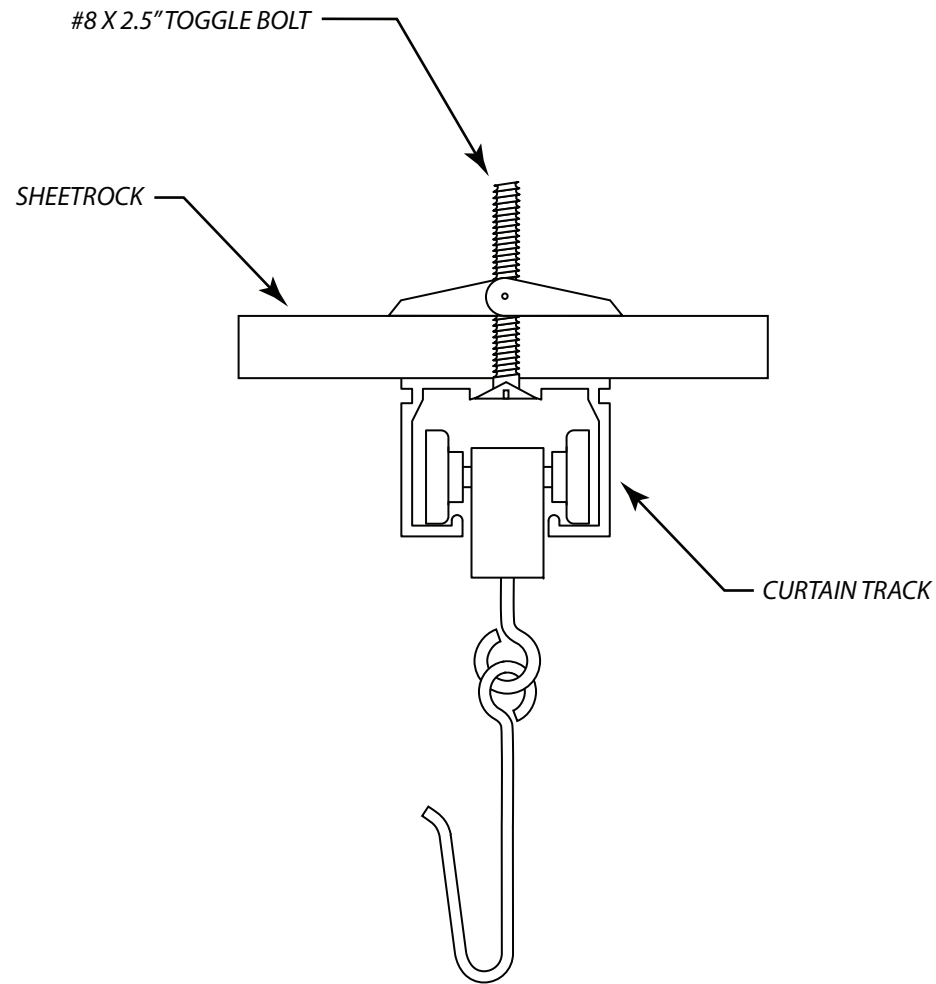
7439 Lampson Avenue
 Garden Grove, CA 92841
 (714) 761-4543 OFFICE (714) 761-4623 FAX



CONFIDENTIAL All materials disclosed in this document are proprietary to Diamond Drapery Co., Inc. The Holder agrees to maintain it in confidence and must not replicate or reveal this information in any manner.	Project: 6000 Series Tracking System Drop Ceiling with Backing Installation	
	Date: 20-NOV-2008	Dimensions: Inches/Feet
	Scale: DO NOT SCALE	By: C. Johnson



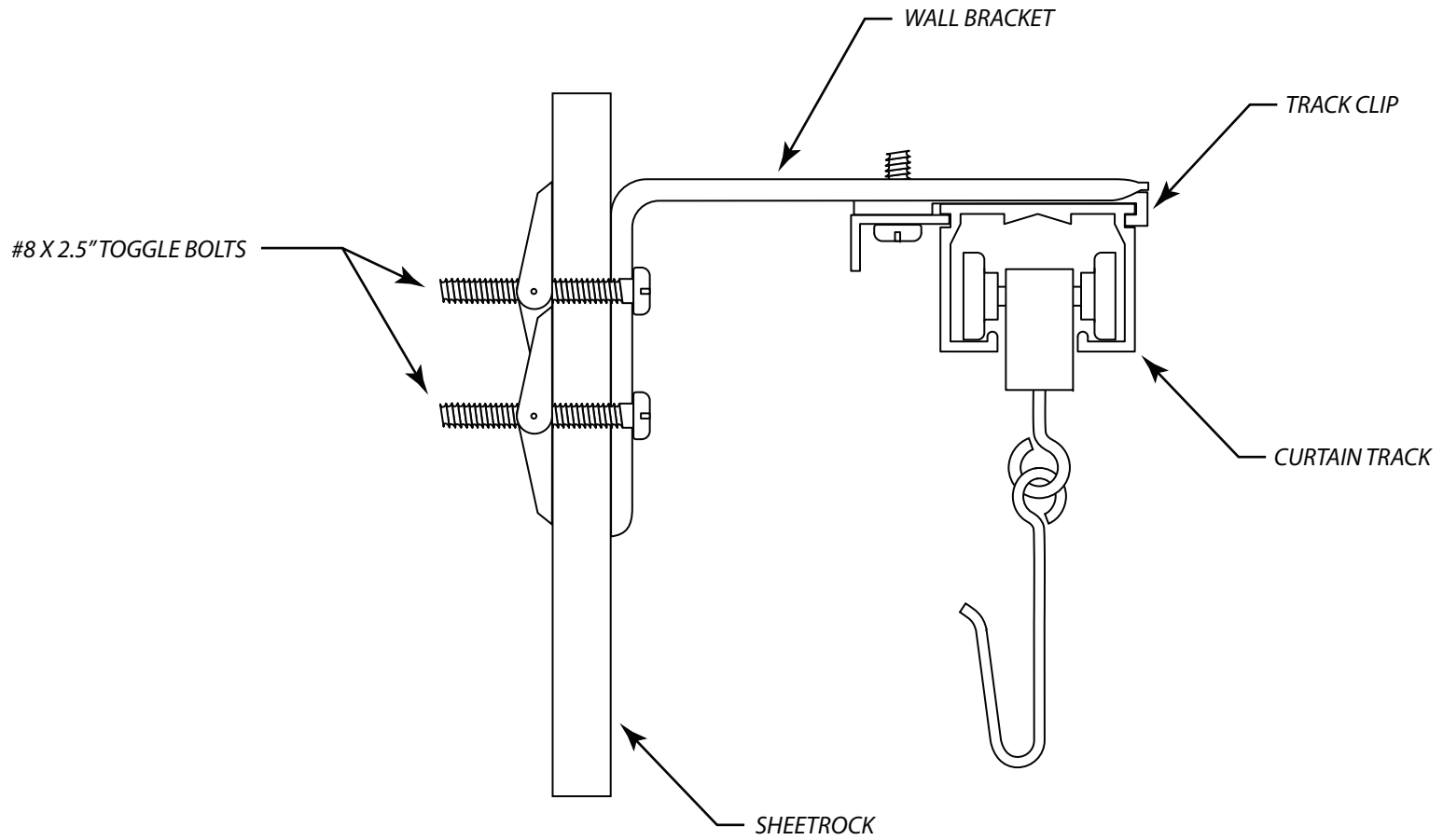
7439 Lampson Avenue
 Garden Grove, CA 92841
 (714) 761-4543 OFFICE (714) 761-4623 FAX




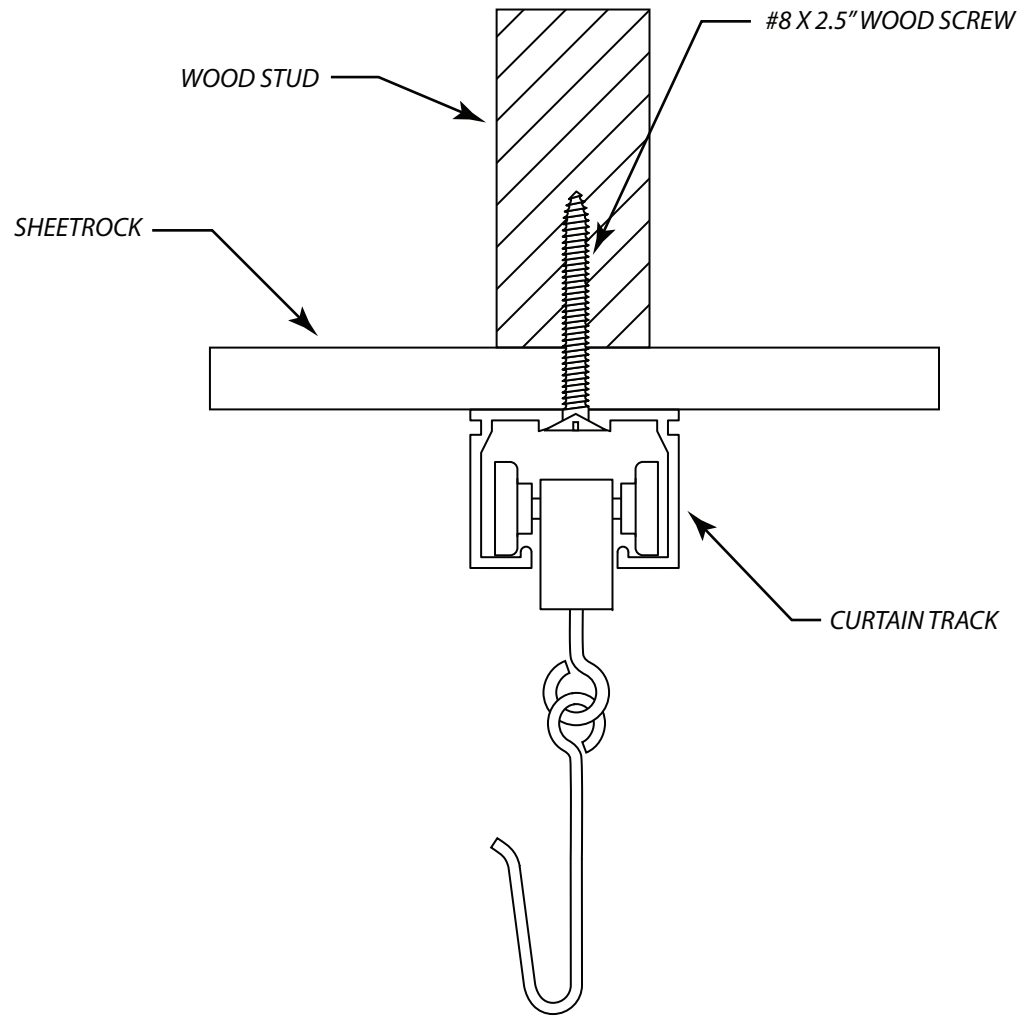
CONFIDENTIAL All materials disclosed in this document are proprietary to Diamond Drapery Co., Inc. The Holder agrees to maintain it in confidence and must not replicate or reveal this information in any manner.	Project: 6000 Series Tracking System Sheetrock Installation	
	Date: 21-OCT-2008	Dimensions: Inches/Feet
	Scale: DO NOT SCALE	By: C. Johnson




7439 Lampson Avenue
 Garden Grove, CA 92841
 (714) 761-4543 OFFICE (714) 761-4623 FAX



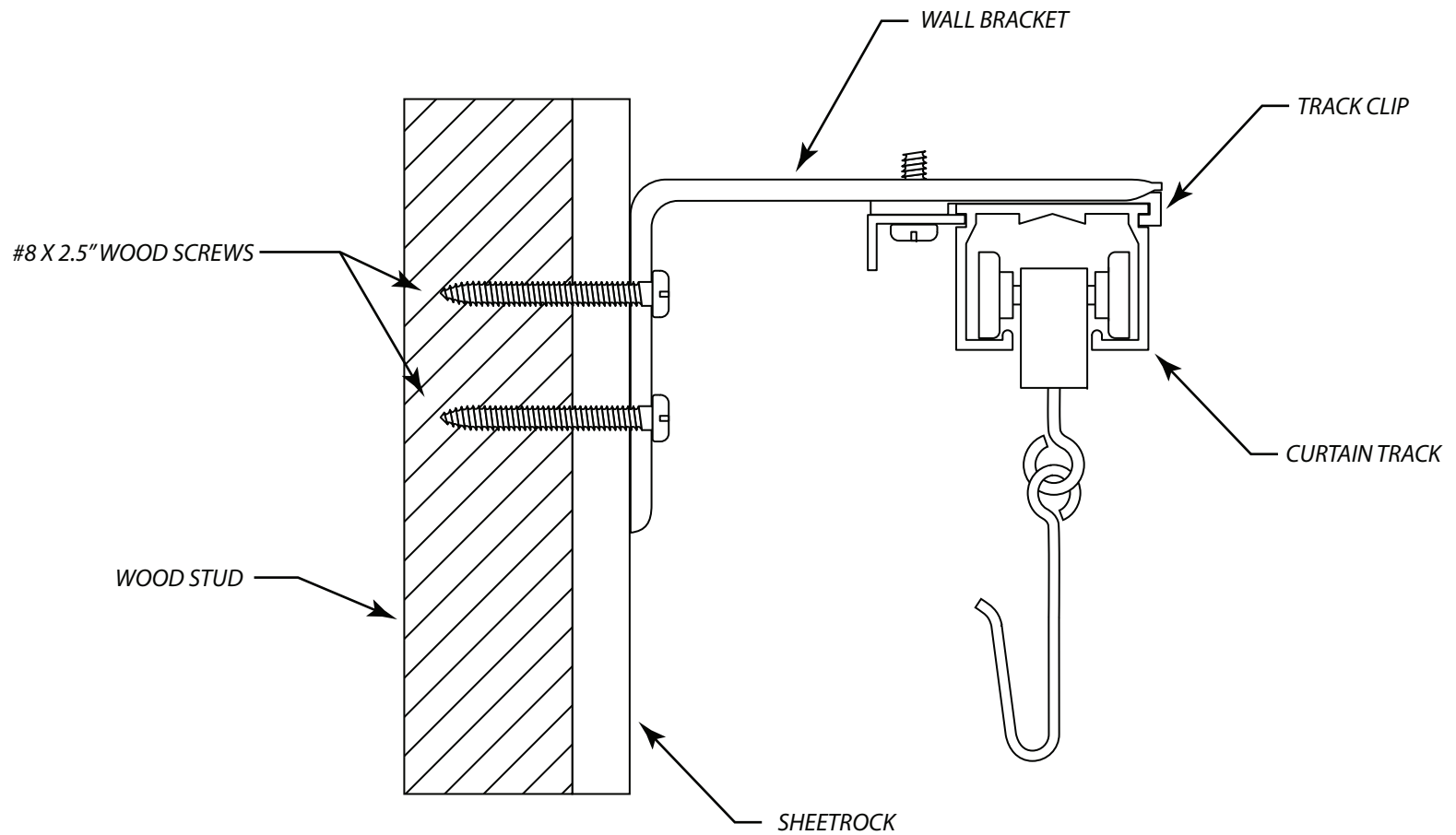
CONFIDENTIAL All materials disclosed in this document are proprietary to Diamond Drapery Co., Inc. The Holder agrees to maintain it in confidence and must not replicate or reveal this information in any manner.	Project: 6000 Series Tracking System Sheertrock Wall Mount Installation		 7439 Lampson Avenue Garden Grove, CA 92841 (714) 761-4543 OFFICE (714) 761-4623 FAX
	Date: 15-DEC-2008	Dimensions: Inches/Feet	
	Scale: DO NOT SCALE	By: C. Johnson	




CONFIDENTIAL All materials disclosed in this document are proprietary to Diamond Drapery Co., Inc. The Holder agrees to maintain it in confidence and must not replicate or reveal this information in any manner.	Project: 6000 Series Tracking System Wood Stud Installation	
	Date: 21-OCT-2008	Dimensions: Inches/Feet
	Scale: DO NOT SCALE	By: C. Johnson

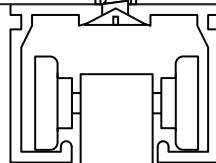
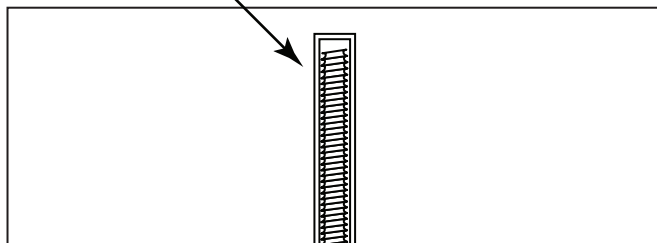


7439 Lampson Avenue
 Garden Grove, CA 92841
 (714) 761-4543 OFFICE (714) 761-4623 FAX

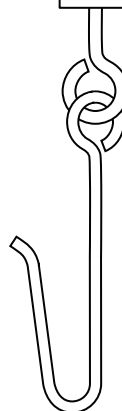


CONFIDENTIAL All materials disclosed in this document are proprietary to Diamond Drapery Co., Inc. The Holder agrees to maintain it in confidence and must not replicate or reveal this information in any manner.	Project: 6000 Series Tracking System Wall Mount Installation		 7439 Lampson Avenue Garden Grove, CA 92841 (714) 761-4543 OFFICE (714) 761-4623 FAX
	Date: 15-DEC-2008	Dimensions: Inches/Feet	
	Scale: DO NOT SCALE	By: C. Johnson	

CONCRETE ANCHOR



CURTAIN TRACK



CONFIDENTIAL

All materials disclosed in this document are proprietary to Diamond Drapery Co., Inc. The Holder agrees to maintain it in confidence and must not replicate or reveal this information in any manner.

Project:

6000 Series Tracking System
Concrete Installation

Date:

21-OCT-2008

Dimensions:

Inches/Feet

Scale:

DO NOT SCALE

By:

C. Johnson

