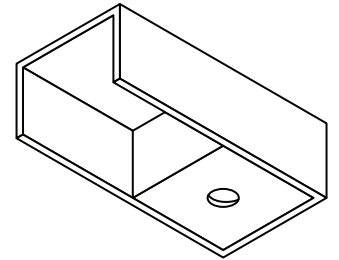
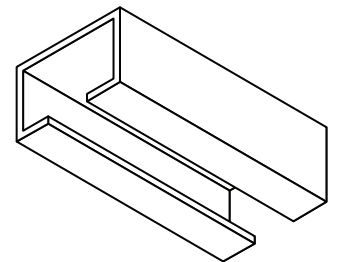


End Stop
5000-03



End Stop with Pull-Out
5000-04



Splice
5000-05

Cubicle Track:

Diamond Drapery 5000 Series
Clear Anodized Aluminum

Carrier:

Diamond Drapery 5000-01 Hooked Carrier
Celon body and wheels with nickel plated hook.


Other Parts:

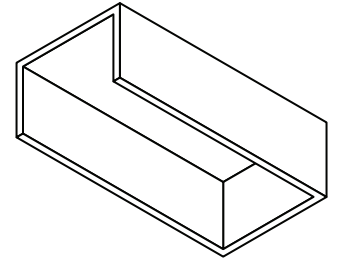
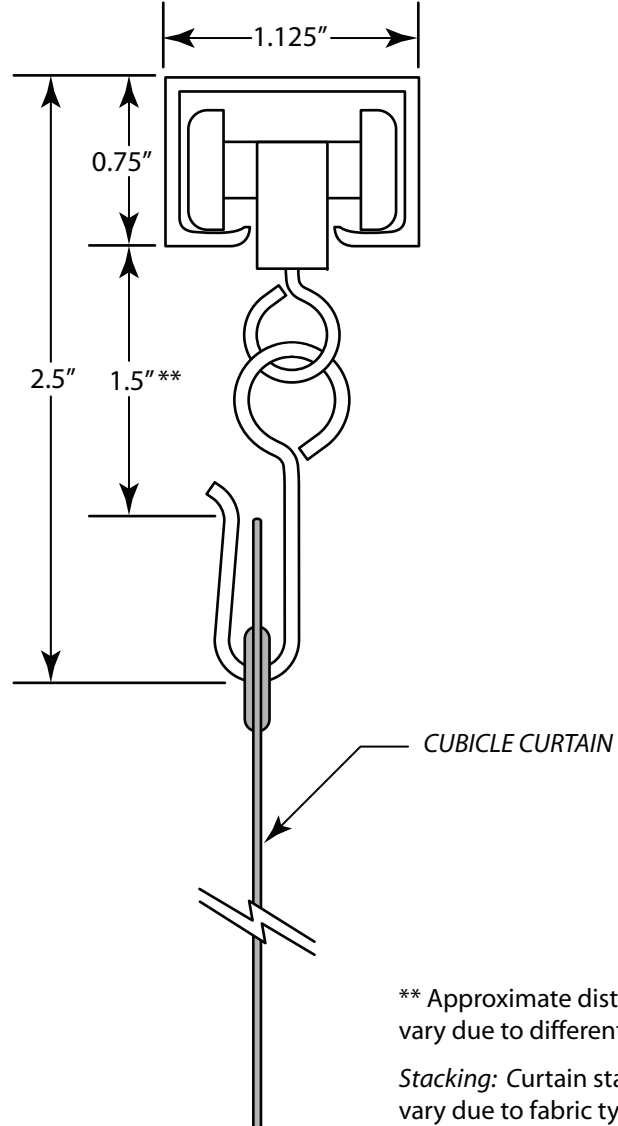
Diamond Drapery end stop, end stop with pull-out, and splice. All clear anodized aluminum parts.

** Approximate distance from bottom of track to top of cubicle curtain. Distance may vary due to different fabric and mesh weights.

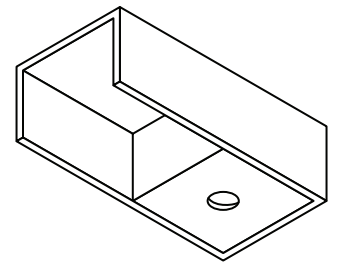
Stacking: Curtain stack depth is typically 1" for every foot of cubicle width. Depth may vary due to fabric type, mesh selection, and lining thickness (if selected).

Grommeting: Grommets are recommended to be spaced every 6" on-center.

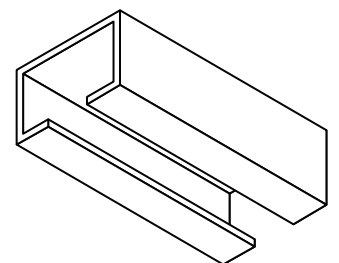
<p>CONFIDENTIAL All materials disclosed in this document are proprietary to Diamond Drapery Co., Inc. The Holder agrees to maintain it in confidence and must not replicate or reveal this information in any manner.</p>	<p>Project: 5000 Series Cubicle Curtain Tracking System</p>		 <p>7439 Lampson Avenue Garden Grove, CA 92841 (714) 761-4543 OFFICE (714) 761-4623 FAX</p>
	<p>Date: 23-DEC-2008</p>	<p>Dimensions: Inches/Feet</p>	
	<p>Scale: DO NOT SCALE</p>	<p>By: C. Johnson</p>	



End Stop
5000-03W



End Stop with Pull-Out
5000-04W



Splice
5000-05W

Cubicle Track:

Diamond Drapery 5000 Series
Powder Coated White

Carrier:

Diamond Drapery 5000-01 Hooked Carrier
Celon body and wheels with nickel plated hook.


Other Parts:

Diamond Drapery end stop, end stop with pull-out, and splice. All powder coated white parts.

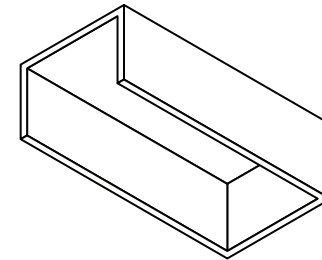
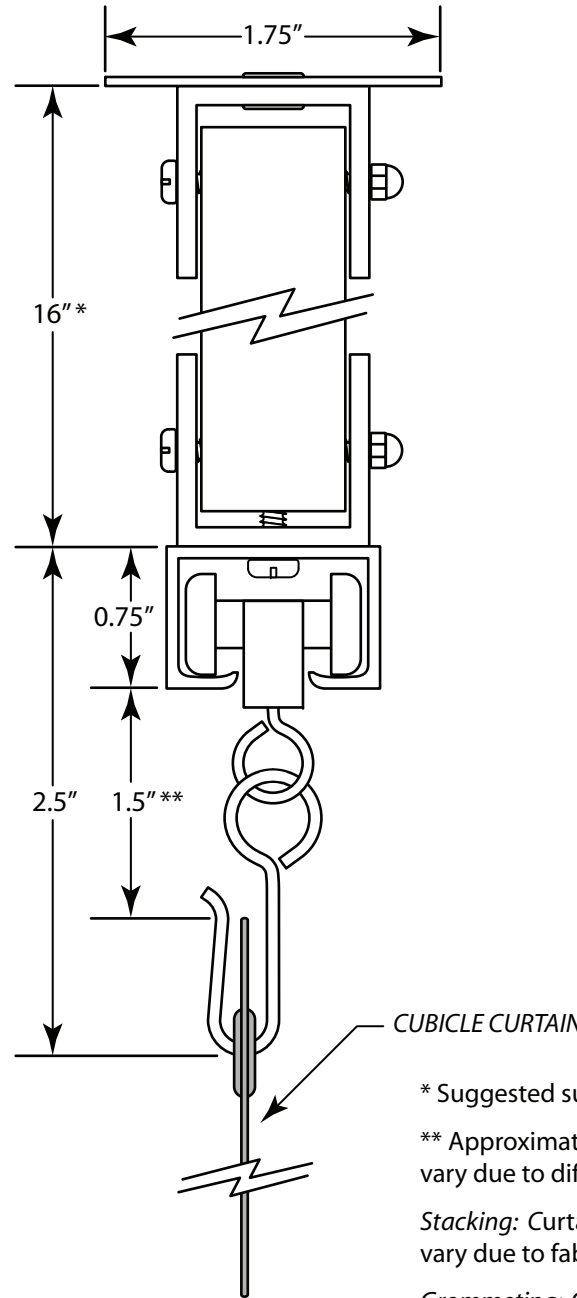
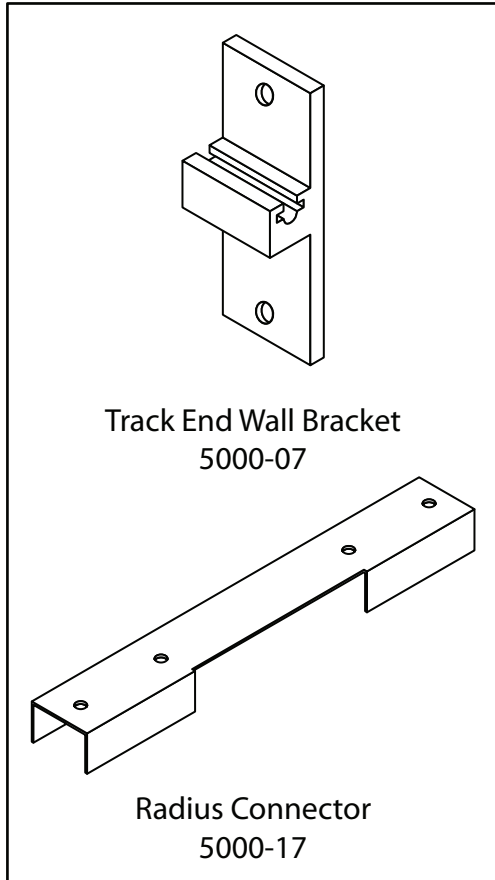
** Approximate distance from bottom of track to top of cubicle curtain. Distance may vary due to different fabric and mesh weights.

Stacking: Curtain stack depth is typically 1" for every foot of cubicle width. Depth may vary due to fabric type, mesh selection, and lining thickness (if selected).

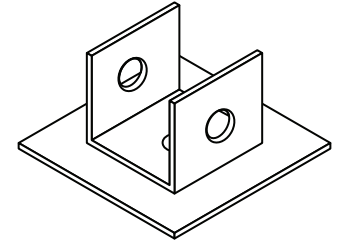
Grommeting: Grommets are recommended to be spaced every 6" on-center.

CONFIDENTIAL All materials disclosed in this document are proprietary to Diamond Drapery Co., Inc. The Holder agrees to maintain it in confidence and must not replicate or reveal this information in any manner.	Project: 5000 Series Cubicle Curtain Tracking System		 <p>7439 Lampson Avenue Garden Grove, CA 92841 (714) 761-4543 OFFICE (714) 761-4623 FAX</p>
	Date: 23-DEC-2008	Dimensions: Inches/Feet	
	Scale: DO NOT SCALE	By: C. Johnson	

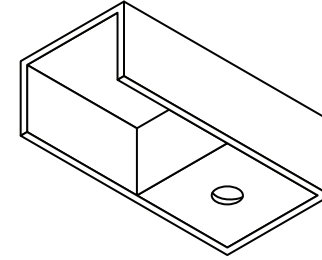
OPTIONAL



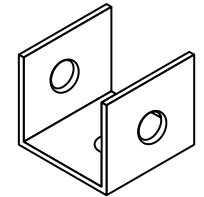
End Stop
5000-03



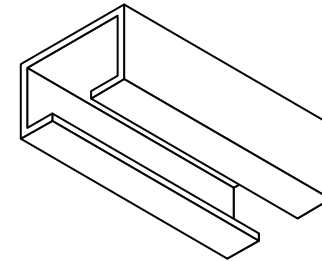
Ceiling Bracket
5000-06



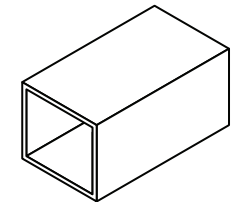
End Stop with Pull-Out
5000-04



Track Bracket
5000-08



Splice
5000-05



Suspension Tubing
5000-ST

Cubicle Track:

Diamond Drapery 5000 Series
Clear Anodized Aluminum

Carrier:

Diamond Drapery 5000-01 Hooked Carrier
Celon body and wheels with nickel plated hook.

Other Parts:

Diamond Drapery end stop, end stop with pull-out, splice, ceiling bracket, track bracket, and suspension tubing. All clear anodized aluminum parts.

* Suggested suspension length. Distance may vary due to site conditions.

** Approximate distance from bottom of track to top of cubicle curtain. Distance may vary due to different fabric weights.

Stacking: Curtain stack depth is typically 1" for every foot of cubicle width. Depth may vary due to fabric type, mesh selection, and lining thickness (if selected).

Grommeting: Grommets are recommended to be spaced every 6" on-center.

<p>CONFIDENTIAL</p> <p>All materials disclosed in this document are proprietary to Diamond Drapery Co., Inc. The Holder agrees to maintain it in confidence and must not replicate or reveal this information in any manner.</p>	<p>Project: 5000 Series Suspended Cubicle Curtain Tracking System</p>		<p>7439 Lampson Avenue Garden Grove, CA 92841 (714) 761-4543 OFFICE (714) 761-4623 FAX</p>
	<p>Date: 23-DEC-2008</p>	<p>Dimensions: Inches/Feet</p>	
	<p>Scale: DO NOT SCALE</p>	<p>By: C. Johnson</p>	